

Measurements for a patio screen sliding door

If your old patio door screen is available, simply measure the length and width (outside edge-to-edge) and give us those measurements.

If your sliding screen doors are missing, determine WIDTH by measuring from inside of side jamb to center of stile on opposite side, just short of where the stationary glass begins. For the HEIGHT measurement, use the diagrams below. Check your height measurements in 3 places (both ends and the center) and use the smallest of the 3 measurements.

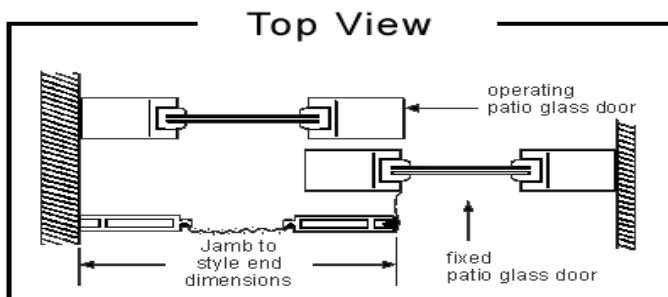
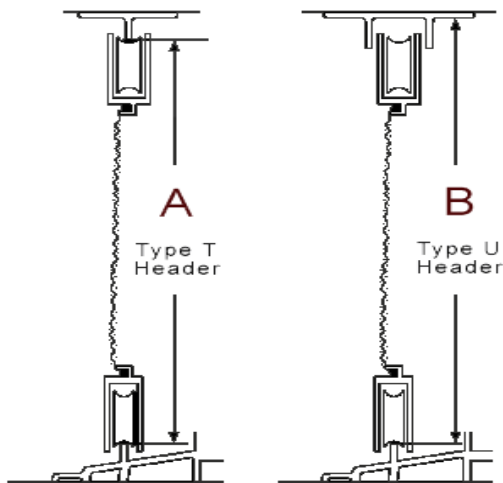
The above measuring guide is intended to assist you with a good fit of your sliding screen door, but all final measurements will be your responsibility. We are unable to accept returns or issue refunds on custom cut doors. Measure twice!

Measurements of actual door, (if possible): ____ x ____

Width (Jam to stile end) dimension: _____

Height (For type "T" header): Clear opening dimension "A"
Height (For type "U" header): Clear opening dimension "B"

_____ (to nearest 1/8"). Add +1/8" _____ (to nearest 1/8")



"A" + 1/8" = Door Height "B" = Door Height

Order your replacement sliding screen door online at <http://www.sliding-screen-doors.com>